

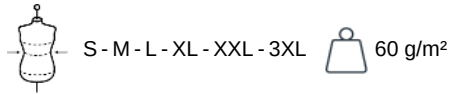
KARIBAN
PREMIUM

PK601

Men's lightweight jacket

- Lightweight men's jacket with a casual, urban look.
- The double collar provides extra warmth as well as being stylish.

100% polyamide. Zip fastening with metal zip and press stud collar. Side pockets with press stud fastening. Double collar with inner neckline in 1x1 rib, elasticated cuffs and hem 1x1 rib (97% polyester/ 3% elastane). Hanging loop inside neckline. Tunnelled seam inside sleeves and armholes for a quality finish. Ruffled inner lining at the upper back with a patch for easy decoration access. Personalisation zip inside chest. No brand label, only size tag for easy decoration access.



No Label

More information

Logistic



Country of origin



CN - China

Customs code



62024010

Washing instructions



Black

Deep Navy

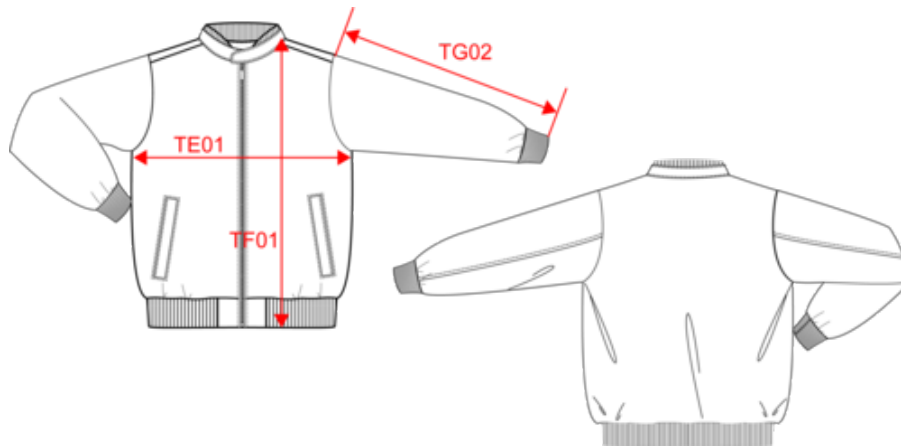


KARIBAN
PREMIUM

PK601

Men's lightweight jacket

Dimensions (cm)



Measurements in cm	S	M	L	XL	XXL	3XL
TE01 - 1/2 chest width at 1.5cm below armhole	55.00	58.00	61.00	64.00	67.00	70.00
TF01 - Total height from HSP	69.00	71.00	73.00	75.00	77.00	79.00
TG02 - Long sleeve length	65.50	66.50	67.50	68.50	69.50	70.50

KARIBAN PREMIUM

PK601

Men's lightweight jacket

Colours information



Black
RVB : 35,35,37
Pantone C : Black
Pantone TCX : 19-4004TCX



Deep Navy
RVB : 34,35,47
Pantone C : 532C
Pantone TCX : 19-3924TCX

Logistic



5



25

Sizes	Width (cm)	Height (cm)	Length (cm)	Net weight (kg)	Gross weight (kg)	Pieces/Box	Pieces/Bundle
S	40.00	22.00	60.00	6.10000	7.20000	25	5
M	40.00	22.00	60.00	6.50000	7.60000	25	5
L	40.00	22.00	60.00	7.00000	8.00000	25	5
XL	40.00	22.00	60.00	7.20000	8.30000	25	5
XXL	40.00	22.00	60.00	7.60000	8.70000	25	5
3XL	40.00	22.00	60.00	8.10000	9.20000	25	5